



# OFFICE SYSTEM

Partition

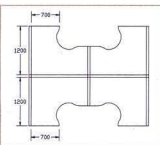






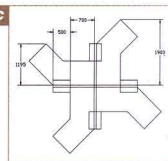
**WORKSTATION JPM LAMINATE**

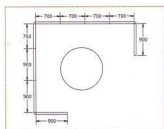
- Cubical Setting
- Irregular Top Table
- Laminate Panel
- 100cm Height Panel
- Light Grey Table Top
- Dark Grey Table Leg



**WORKSTATION JPM FABRIC**

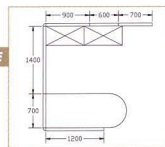
- Cubical Setting
- Irregular Top Table
- Counter Top Table
- Fabric Panel
- 100cm & 120cm Height Panel
- Cappuccino Table Top





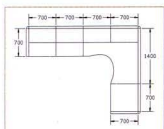
#### MEETING AREA **JPM LAMINATE**

- Laminate Panel
- Sunblasted Panel
- 180cm Panel Height



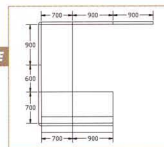
#### MANAGER ROOM **JPM LAMINATE**

- Laminate Panel
- Hanging Cabinet
- Regular Top Table
- Low Sliding Door Cabinets
- Combination of 100 cm half glass, 150cm and 180cm Panel Height



#### WORKSTATION **JPM LAMINATE**

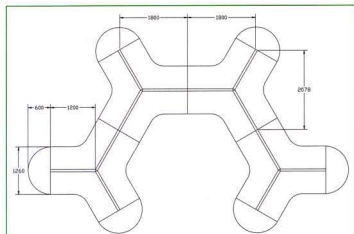
- Laminate Panel
- Combination of 100cm, 150cm & 180cm Height Panel
- Hanging Tray with Metal Bracket
- Keyboard Tray
- Mobile Pedestal



#### RECEPTIONIST **JPM LAMINATE**

- Laminate & Full Glass Panel
- Combination of 100 cm & 180cm Height Panel
- Regular Top Table
- Counter Top Table





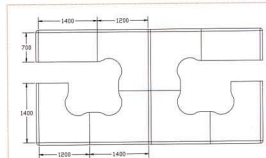
## WORKSTATIONS SETTING

**JPF FABRIC**

- Irregular Top Table
- Half Glass & Fabric Panel
- Sand Blasted Glass
- 120cm Height Panel
- Light Grey Table Top
- Joining Top with Black Metal Leg
- Mobile Pedestal



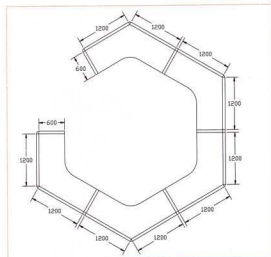




**WORKSTATION**

**JPL LAMINATE**

- Laminate Panel
- Hanging Cabinet
- Irregular & Regular Top Table
- Combination of 100 cm half glass, and 180cm Panel Height



**WORKSTATION**

**JPL FABRIC**

- Fabric Panel
- Irregular Top Table
- 100 cm half glass Panel Height





# JPM CABLE MANAGEMENT

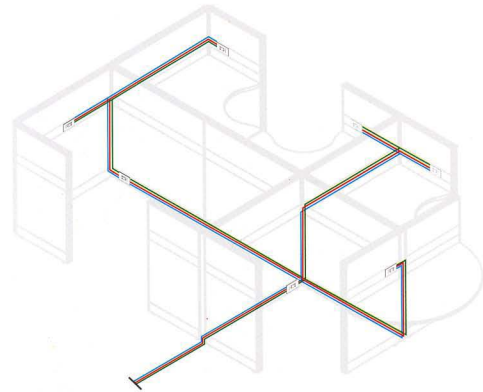


HORIZONTAL  
CABLE MANAGEMENT  
(ALL SERIES)



RACEWAY  
(FOR JPF & JPL SERIES ONLY)

# JPF & JPL CABLE MANAGEMENT



LIGHT GREY

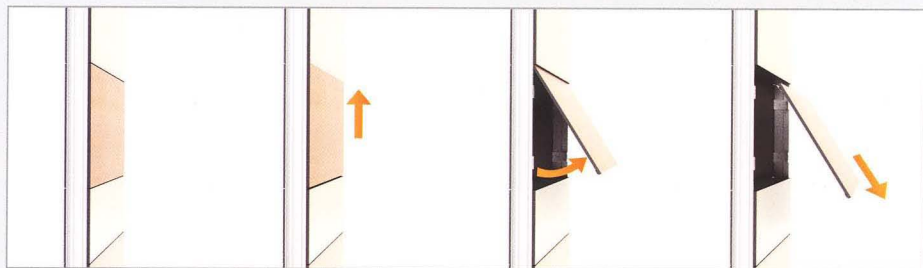
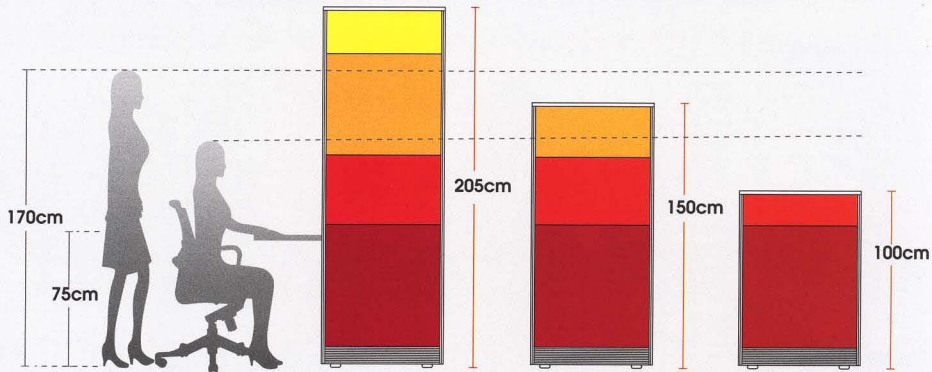


OXFORD CHERRY



CAPPUCCINO

## TOP TABLE MATERIAL SELECTIONS



JPL TILING SYSTEM



LAMINATE PANEL MATERIAL SELECTIONS



NETWORK, TELEPHONE & ELECTRIC SOCKETS

# JPM SERIES

Figure	Dimension (mm)		Fabric	Laminate
	H1/H2	W		
	1000 / -	500	FFM11050	LFM11050
		600	FFM11060	LFM11060
		700	FFM11070	LFM11070
		900	FFM11090	LFM11090
		1200	FFM11012	LFM11012
		1400	FFM11014	LFM11014
	1200 / -	500	FFM11250	LFM11250
		600	FFM11260	LFM11260
		700	FFM11270	LFM11270
		900	FFM11290	LFM11290
		1200	FFM11212	LFM11212
		1400	FFM11214	LFM11214
	1500 / -	500	FFM11550	LFM11550
		600	FFM11560	LFM11560
		700	FFM11570	LFM11570
		900	FFM11590	LFM11590
		1200	FFM11512	LFM11512
		1400	FFM11514	LFM11514
	1800 / -	500	FFM11850	LFM11850
		600	FFM11860	LFM11860
		700	FFM11870	LFM11870
		900	FFM11890	LFM11890
		1200	FFM11812	LFM11812
		1400	FFM11812	LFM11812
	2050 / -	500	FFM12050	LFM12050
		600	FFM12060	LFM12060
		700	FFM12070	LFM12070
		900	FFM12090	LFM12090
		1200	FFM12012	LFM12012
		1400	FFM12012	LFM12012
	1000/200	500	FHM11250	LHM11250
		600	FHM11260	LHM11260
		700	FHM11270	LHM11270
		900	FHM11290	LHM11290
		1200	FHM11212	LHM11212
		1400	FHM11214	LHM11214
	1000/500	500	FHM11550	LHM11550
		600	FHM11560	LHM11560
		700	FHM11570	LHM11570
		900	FHM11590	LHM11590
		1200	FHM11512	LHM11512
		1400	FHM11514	LHM11514
	1000/800	500	FHM11850	LHM11850
		600	FHM11860	LHM11860
		700	FHM11870	LHM11870
		900	FHM11890	LHM11890
		1200	FHM11812	LHM11812
		1400	FHM11812	LHM11812
	1000/1050	500	FHM12050	LHM12050
		600	FHM12060	LHM12060
		700	FHM12070	LHM12070
		900	FHM12090	LHM12090
		1200	FHM12012	LHM12012
		1400	FHM12012	LHM12012
	1000 / -	500	GFM11050	LGM11050
		600	GFM11060	LGM11060
		700	GFM11070	LGM11070
		900	GFM11090	LGM11090
		1200	GFM11012	LGM11012
		1400	GFM11012	LGM11012
	1200 / -	500	GFM11250	LGM11250
		600	GFM11260	LGM11260
		700	GFM11270	LGM11270
		900	GFM11290	LGM11290
		1200	GFM11212	LGM11212
		1400	GFM11212	LGM11212

JPM GLASS

# JPF SERIES

Figure	Dimension (mm)			Fabric	Figure	Dimension (mm)			Fabric
	H1 / H2 / H3 / H4 / H5	W				H1 / H2 / H3 / H4 / H5	W		
	800 / 200 / - / - / -	500	FFF11050	FFF11050		800 / 100 / 300 / 600 / 250	500	FFF11250	FFF11250
		600	FFF11060	FFF11060			600	FFF11260	FFF11260
		700	FFF11070	FFF11070			700	FFF11270	FFF11270
		900	FFF11090	FFF11090			900	FFF11290	FFF11290
		1200	FFF11012	FFF11012			1200	FFF11212	FFF11212
		1400	FFF11014	FFF11014			1400	FFF11214	FFF11214
	800 / 400 / - / - / -	500	FFF11550	FFF11550	with RACEWAY	with RACEWAY	500	FFF11550	FFF11550
		600	FFF11560	FFF11560			600	FFF11560	FFF11560
		700	FFF11570	FFF11570			700	FFF11570	FFF11570
		900	FFF11590	FFF11590			900	FFF11590	FFF11590
		1200	FFF11512	FFF11512			1200	FFF11512	FFF11512
		1400	FFF11514	FFF11514			1400	FFF11514	FFF11514
	800 / 400 / 600 / - / -	500	FFF11850	FFF11850	with RACEWAY	with RACEWAY	500	FFF11850	FFF11850
		600	FFF11860	FFF11860			600	FFF11860	FFF11860
		700	FFF11870	FFF11870			700	FFF11870	FFF11870
		900	FFF11890	FFF11890			900	FFF11890	FFF11890
		1200	FFF11812	FFF11812			1200	FFF11812	FFF11812
		1400	FFF11812	FFF11812			1400	FFF11812	FFF11812
	800 / 400 / 600 / 250 / -	500	FFF12050	FFF12050	with RACEWAY	with RACEWAY	500	FFF12050	FFF12050
		600	FFF12060	FFF12060			600	FFF12060	FFF12060
		700	FFF12070	FFF12070			700	FFF12070	FFF12070
		900	FFF12090	FFF12090			900	FFF12090	FFF12090
		1200	FFF12012	FFF12012			1200	FFF12012	FFF12012
		1400	FFF12012	FFF12012			1400	FFF12012	FFF12012
	800 / 100 / 100 / 800 / -	500	FFF22050	FFF22050	with RACEWAY	with RACEWAY	500	FFF22050	FFF22050
		600	FFF22060	FFF22060			600	FFF22060	FFF22060
		700	FFF22070	FFF22070			700	FFF22070	FFF22070
		900	FFF22090	FFF22090			900	FFF22090	FFF22090
		1200	FFF22012	FFF22012			1200	FFF22012	FFF22012
		1400	FFF22012	FFF22012			1400	FFF22012	FFF22012
	800 / 100 / 100 / 1050 / -	500	FFF11250	FFF11250	with RACEWAY	with RACEWAY	500	FFF11250	FFF11250
		600	FFF11260	FFF11260			600	FFF11260	FFF11260
		700	FFF11270	FFF11270			700	FFF11270	FFF11270
		900	FFF11290	FFF11290			900	FFF11290	FFF11290
		1200	FFF11212	FFF11212			1200	FFF11212	FFF11212
		1400	FFF11214	FFF11214			1400	FFF11214	FFF11214
	800 / 200 / 200 / - / -	500	FFF21050	FFF21050	with RACEWAY	with RACEWAY	500	FFF21050	FFF21050
		600	FFF21060	FFF21060			600	FFF21060	FFF21060
		700	FFF21070	FFF21070			700	FFF21070	FFF21070
		900	FFF21090	FFF21090			900	FFF21090	FFF21090
		1200	FFF21012	FFF21012			1200	FFF21012	FFF21012
		1400	FFF21014	FFF21014			1400	FFF21014	FFF21014
	800 / 100 / 300 / - / -	500	FFF21250	FFF21250	with RACEWAY	with RACEWAY	500	FFF21250	FFF21250
		600	FFF21260	FFF21260			600	FFF21260	FFF21260
		700	FFF21270	FFF21270			700	FFF21270	FFF21270
		900	FFF21290	FFF21290			900	FFF21290	FFF21290
		1200	FFF21212	FFF21212			1200	FFF21212	FFF21212
		1400	FFF21214	FFF21214			1400	FFF21214	FFF21214
	800 / 100 / 300 / 300 / -	500	FFF21550	FFF21550	with RACEWAY	with RACEWAY	500	FFF21550	FFF21550
		600	FFF21560	FFF21560			600	FFF21560	FFF21560
		700	FFF21570	FFF21570			700	FFF21570	FFF21570
		900	FFF21590	FFF21590			900	FFF21590	FFF21590
		1200	FFF21512	FFF21512			1200	FFF21512	FFF21512
		1400	FFF21514	FFF21514			1400	FFF21514	FFF21514
	800 / 100 / 300 / 600 / -	500	FFF21850	FFF21850	with RACEWAY	with RACEWAY	500	FFF21850	FFF21850
		600	FFF21860	FFF21860			600	FFF21860	FFF21860
		700	FFF21870	FFF21870			700	FFF21870	FFF21870
		900	FFF21890	FFF21890			900	FFF21890	FFF21890
		1200	FFF21812	FFF21812			1200	FFF21812	FFF21812
		1400	FFF21812	FFF21812			1400	FFF21812	FFF21812

# JPF SERIES

Figure	Dimension (mm)		Fabric
	H1 / H2 / H3 / H4 / H5	W	
H4 whiteboard	800 / 200 / 400 / 100 / -	500	FF31550
		600	FF31560
		700	FF31570
H3	800 / 200 / 400 / 400 / -	900	FF31590
		1200	FF31512
		1400	FF31514
H2	800 / 200 / 400 / 400 / -	500	FF31850
		600	FF31860
		700	FF31870
H1	800 / 200 / 400 / 400 / -	900	FF31890
		1200	FF31812
		1400	FF31814
H5	800 / 100 / 100 / 400 / 100	500	FF41550
		600	FF41560
		700	FF41570
H4 whiteboard	800 / 100 / 100 / 400 / 100	900	FF41590
		1200	FF41512
		1400	FF41514
H3 H2	800 / 100 / 100 / 400 / 400	500	FF41850
		600	FF41860
		700	FF41870
H1	800 / 100 / 100 / 400 / 400	900	FF41890
		1200	FF41812
		1400	FF41814
with RACEWAY	800 / 100 / 100 / 400 / 650	500	FF42050
		600	FF42060
		700	FF42070
H3	800 / 400 / - / - / -	900	FF42090
		1200	FF42012
		1400	FF42014
H2	800 / 400 / 300 / - / -	500	GFF11250
		600	GFF11260
		700	GFF11270
H1	800 / 400 / 600 / - / -	900	GFF11290
		1200	GFF11212
		1400	GFF11214
H3	800 / 400 / 300 / - / -	500	GFF11550
		600	GFF11560
		700	GFF11570
H2	800 / 400 / 300 / - / -	900	GFF11590
		1200	GFF11512
		1400	GFF11514
H1	800 / 400 / 600 / - / -	500	GFF11850
		600	GFF11860
		700	GFF11870
800 / 400 / 850 / - / -	900	GFF11890	
	1200	GFF11812	
	1400	GFF11814	

# JPL SERIES

Figure	Dimension (mm)		Fabric	Laminae	Figure	Dimension (mm)		Fabric
	H1 / H2 / H3 / H4 / H5	W				H1 / H2 / H3 / H4 / H5	W	
H2 H1	800 / 200 / - / - / -	500	FFL11050	LFL11050	H3 H2 H1	800 / 200 / - / - / -	500	GFL11050
		600	FFL11060	LFL11060			600	GFL11060
		700	FFL11070	LFL11070			700	GFL11070
H3 H2 H1	800 / 200 / 200 / - / -	900	FFL11090	LFL11090	800 / 200 / 200 / - / -	800 / 200 / 200 / - / -	900	GFL11090
		1200	FFL11012	LFL11012			1200	GFL11012
		1400	FFL11014	LFL11014			1400	GFL11014
H3 H2 H1	800 / 200 / 500 / - / -	500	FFL11250	LFL11250	800 / 200 / 500 / - / -	800 / 200 / 500 / - / -	500	GFL11250
		600	FFL11260	LFL11260			600	GFL11260
		700	FFL11270	LFL11270			700	GFL11270
H3 H2 H1	800 / 200 / 500 / 300 / -	900	FFL11290	LFL11290	800 / 200 / 800 / - / -	800 / 200 / 800 / - / -	900	GFL11290
		1200	FFL11212	LFL11212			1200	GFL11212
		1400	FFL11214	LFL11214			1400	GFL11214
H4 H3 H2 H1	800 / 200 / 500 / 550 / -	500	FFL11550	LFL11550	800 / 200 / 1050 / - / -	800 / 200 / 1050 / - / -	500	GFL11550
		600	FFL11560	LFL11560			600	GFL11560
		700	FFL11570	LFL11570			700	GFL11570
H4 H3 H2 H1	800 / 200 / 500 / 300 / -	900	FFL11590	LFL11590	800 / 200 / 1050 / - / -	800 / 200 / 1050 / - / -	900	GFL11590
		1200	FFL11512	LFL11512			1200	GFL11512
		1400	FFL11514	LFL11514			1400	GFL11514
H4 H3 H2 H1	800 / 200 / 500 / 550 / -	500	FFL11850	LFL11850	800 / 200 / 1050 / - / -	800 / 200 / 1050 / - / -	500	GFL11850
		600	FFL11860	LFL11860			600	GFL11860
		700	FFL11870	LFL11870			700	GFL11870
H3 H2 H1	800 / 200 / 200 / - / -	900	FFL11890	LFL11890	800 / 200 / 1050 / - / -	800 / 200 / 1050 / - / -	900	GFL11890
		1200	FFL11812	LFL11812			1200	GFL11812
		1400	FFL11814	LFL11814			1400	GFL11814
H3 H2 H1	800 / 200 / 500 / - / -	500	FHL11250	LHL11250	800 / 200 / 800 / - / -	800 / 200 / 800 / - / -	500	FHL11250
		600	FHL11260	LHL11260			600	FHL11260
		700	FHL11270	LHL11270			700	FHL11270
H3 H2 H1	800 / 200 / 500 / - / -	900	FHL11290	LHL11290	800 / 200 / 800 / - / -	800 / 200 / 800 / - / -	900	FHL11290
		1200	FHL11212	LHL11212			1200	FHL11212
		1400	FHL11214	LHL11214			1400	FHL11214
H3 H2 H1	800 / 200 / 500 / - / -	500	FHL11550	LHL11550	800 / 200 / 1050 / - / -	800 / 200 / 1050 / - / -	500	FHL11550
		600	FHL11560	LHL11560			600	FHL11560
		700	FHL11570	LHL11570			700	FHL11570
H3 H2 H1	800 / 200 / 500 / - / -	900	FHL11590	LHL11590	800 / 200 / 1050 / - / -	800 / 200 / 1050 / - / -	900	FHL11590
		1200	FHL11512	LHL11512			1200	FHL11512
		1400	FHL11514	LHL11514			1400	FHL11514
H3 H2 H1	800 / 200 / 800 / - / -	500	FHL11850	LHL11850	800 / 200 / 1050 / - / -	800 / 200 / 1050 / - / -	500	FHL11850
		600	FHL11860	LHL11860			600	FHL11860
		700	FHL11870	LHL11870			700	FHL11870
H3 H2 H1	800 / 200 / 800 / - / -	900	FHL11890	LHL11890	800 / 200 / 1050 / - / -	800 / 200 / 1050 / - / -	900	FHL11890
		1200	FHL11812	LHL11812			1200	FHL11812
		1400	FHL11814	LHL11814			1400	FHL11814
H3 H2 H1	800 / 200 / 1050 / - / -	500	FHL12050	LHL12050	800 / 200 / 1050 / - / -	800 / 200 / 1050 / - / -	500	FHL12050
		600	FHL12060	LHL12060			600	FHL12060
		700	FHL12070	LHL12070			700	FHL12070
H3 H2 H1	800 / 200 / 1050 / - / -	900	FHL12090	LHL12090	800 / 200 / 1050 / - / -	800 / 200 / 1050 / - / -	900	FHL12090
		1200	FHL12012	LHL12012			1200	FHL12012
		1400	FHL12014	LHL12014			1400	FHL12014

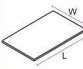


Figure	Dimension (mm)		Grey	Oxford Cherry	Cappuccino
	L	w			
	600		TRG16045	TRQ16045	TRN16045
	700		TRG17045	TRQ17045	TRN17045
	900		TRG19045	TRQ19045	TRN19045
	1000		TRG11045	TRQ11045	TRN11045
	1200		TRG11245	TRQ11245	TRN11245
	1400		TRG11445	TRQ11445	TRN11445
	1500		TRG11545	TRQ11545	TRN11545
	1600		TRG11645	TRQ11645	TRN11645
	1800		TRG11845	TRQ11845	TRN11845
	500		TRG15050	TRQ15050	TRN15050
	700		TRG16050	TRQ16050	TRN16050
	900		TRG17050	TRQ17050	TRN17050
1000		TRG19050	TRQ19050	TRN19050	
1200		TRG11050	TRQ11050	TRN11050	
1400		TRG11250	TRQ11250	TRN11250	
1400		TRG11450	TRQ11450	TRN11450	
500		TRG15060	TRQ15060	TRN15060	
600		TRG16060	TRQ16060	TRN16060	
700		TRG17060	TRQ17060	TRN17060	
900		TRG19060	TRQ19060	TRN19060	
1000		TRG11060	TRQ11060	TRN11060	
1200		TRG11260	TRQ11260	TRN11260	
1400		TRG11460	TRQ11460	TRN11460	
700		TRG17070	TRQ17070	TRN17070	
900		TRG19070	TRQ19070	TRN19070	
1000		TRG11070	TRQ11070	TRN11070	
1200		TRG11270	TRQ11270	TRN11270	
1400		TRG11470	TRQ11470	TRN11470	
	1050		TCG11045	TCO11045	TCN11045
	1150		TCG11145	TCO11145	TCN11145
	1250		TCG11245	TCO11245	TCN11245
	1350		TCG11345	TCO11345	TCN11345
	1450		TCG11445	TCO11445	TCN11445
	1650		TCG11645	TCO11645	TCN11645
	1850		TCG11845	TCO11845	TCN11845
	2250		TCG12245	TCO12245	TCN12245
	1200		TUG11260	TUO11260	TUN11260
	1400		TUG11460	TUO11460	TUN11460
	1500		TUG11560	TUO11560	TUN11560
	1600		TUG11660	TUO11660	TUN11660
	1800		TUG11860	TUO11860	TUN11860
700	1200		TUG11270	TUO11270	TUN11270
	1400		TUG11470	TUO11470	TUN11470
	1500		TUG11570	TUO11570	TUN11570
	1600		TUG11670	TUO11670	TUN11670
	1800		TUG11870	TUO11870	TUN11870

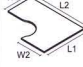
Figure	Dimension (mm)		Grey	Oxford Cherry	Cappuccino
	L1/L2	w1/w2			
	500/500		TLG12255	TLO12255	TLN12255
	500/600		TLG12255	TLO12255	TLN12255
	500/700		TLG12257	TLO12257	TLN12257
	600/500		TLG12265	TLO12265	TLN12265
	600/600		TLG12267	TLO12267	TLN12267
	600/700		TLG12267	TLO12267	TLN12267
	700/500		TLG12275	TLO12275	TLN12275
	700/600		TLG12276	TLO12276	TLN12276
	700/700		TLG12277	TLO12277	TLN12277
	500/500		TLG12455	TLO12455	TLN12455
	500/600		TLG12456	TLO12456	TLN12456
	500/700		TLG12457	TLO12457	TLN12457
1200/1400	600/500		TLG12465	TLO12465	TLN12465
	600/600		TLG12466	TLO12466	TLN12466
	600/700		TLG12467	TLO12467	TLN12467
	600/700		TLG12467	TLO12467	TLN12467

Figure	Dimension (mm)		Grey	Oxford Cherry	Cappuccino
	L1/L2	w1/w2			
1200/1400	700/500		TLG12475	TLO12475	TLN12475
	700/600		TLG12476	TLO12476	TLN12476
	700/700		TLG12477	TLO12477	TLN12477
1200/1500	500/600		TLG12556	TLO12556	TLN12556
	500/700		TLG12557	TLO12557	TLN12557
	600/600		TLG12566	TLO12566	TLN12566
1200/1600	600/700		TLG12567	TLO12567	TLN12567
	700/600		TLG12576	TLO12576	TLN12576
	700/700		TLG12577	TLO12577	TLN12577
1400/1400	500/500		TLG14455	TLO14455	TLN14455
	500/600		TLG14456	TLO14456	TLN14456
	500/700		TLG14457	TLO14457	TLN14457
1400/1500	600/500		TLG14466	TLO14466	TLN14466
	600/600		TLG14467	TLO14467	TLN14467
	600/700		TLG14476	TLO14476	TLN14476
1400/1600	700/500		TLG14475	TLO14475	TLN14475
	700/600		TLG14476	TLO14476	TLN14476
	700/700		TLG14477	TLO14477	TLN14477
1400/1500	500/600		TLG14556	TLO14556	TLN14556
	500/700		TLG14557	TLO14557	TLN14557
	600/600		TLG14566	TLO14566	TLN14566
1400/1600	600/700		TLG14567	TLO14567	TLN14567
	700/600		TLG14676	TLO14676	TLN14676
	700/700		TLG14677	TLO14677	TLN14677
1500/1500	600/600		TLG15566	TLO15566	TLN15566
	600/700		TLG15567	TLO15567	TLN15567
	700/600		TLG15576	TLO15576	TLN15576
1600/1600	700/700		TLG15577	TLO15577	TLN15577
	600/600		TYG12266	TYO12266	TYN12266
	1200/1200		TYG12267	TYO12267	TYN12267
1400/1400	600/600		TYG14466	TYO14466	TYN14466
	700/700		TYG14477	TYO14477	TYN14477









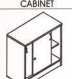
Figure	Dimension (cm)			Grey	Oxford Cherry	Cappuccino
	W	D	H			
 HANGING TRAY	500 600 700 900	350	180	HTG15035 HTG16035 HTG17035 HTG19035	HTO15035 HTO16035 HTO17035 HTO19035	HTNI15035 HTNI16035 HTNI17035 HTNI19035
 HANGING ROLLER SHUTTER	500 600 700 900	400	510	HRG15040 HRG16040 HRG17040 HRG19040	HRO15040 HRO16040 HRO17040 HRO19040	HRNI15040 HRNI16040 HRNI17040 HRNI19040
 HANGING CABINET	500 600 700 900	400	510	HCG15040 HCG16040 HCG17040 HCG19040	HCO15040 HCO16040 HCO17040 HCO19040	HCNI15040 HCNI16040 HCNI17040 HCNI19040
 MOBILE PEDESTAL	400	500	560	MBG14050	MBO14050	MBN14050
 MOBILE PEDESTAL	400	500	560	MBG14060	MBO14060	MBN14060
 MOBILE PEDESTAL	400	500	720	MBG14070	MBO14070	MBN14070
 LOW OPEN SHELF CABINET	790	400	750	SOG17975	SOO17975	SON17975
 HIGH OPEN SHELF CABINET	790	400	1200	SOG17912	SOO17912	SON17912
 LOW SLIDING DOOR CABINET	790	400	750	SLG17975	SLO17975	SLNI17975









Figure	Dimension (cm)			Grey	Oxford Cherry	Cappuccino
	W	D	H			
 HIGH SLIDING DOOR CABINET	790	400	1200	SLG17912	SLO17912	SLNI17912
 TABLE LEG	18	400 500 600	730	KKY11640 KKY11850 KKY11850 (DARK GREY)		
 KEYBOARD TRAY	550	400	80	KYB (BLACK)		
 METAL LEG		DIA 8	72	KHJIT (BLACK)		

Figure	Dimension (cm)			Grey	Oxford Cherry	Cappuccino
	W	D	H			
 D/W12090 (PVC WHITE)	900	45	2000			
 D/L12090	900	45	2000	DLG12090	DLO12090	DLN12090
 D/H12090	900	45	2000	DHG12090	DHO12090	DHN12090
 D/G12090	900	45	2000	DGG12090	DGO12090	DGN12090

